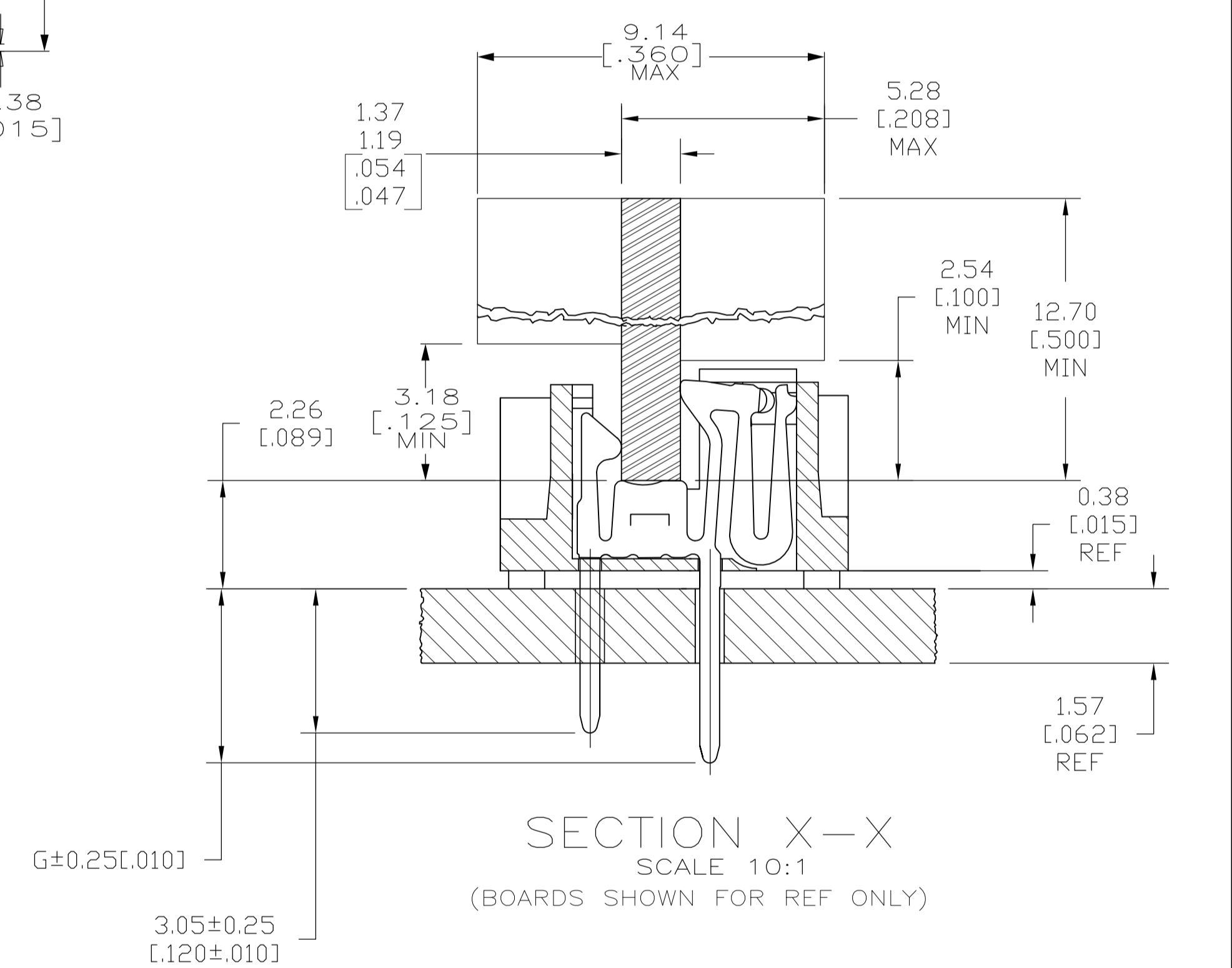


- △ HOUSING-MATERIAL : LIQUID-CRYSTAL-POLYMER.
- △ CONTACT-MATERIAL : PHOS. BRONZE.
- △ LATCH-MATERIAL : BRASS, NICKEL PLATE.
- △ CONTACT-PLATE: 0.00508[.000200] MIN MATTE TIN OVER 0.00127 [.000050] MIN NICKEL.
- 5. IN ADDITION TO THOSE RECOMMENDED "SIMM" P.C. BOARD DIMENSIONS AND TOLERANCES SHOWN, ALL JEDEC SPECIFICATIONS APPLY AS SHOWN ON MO-116, ISSUE A.
- 6. RECOMMENDED MATING S.I.M.M. TAB METALLURGY: BASE METAL-COPPER. PLATING TO BE 0.00762[.000300] MIN TIN/LEAD OVER 0.00127[.000050] MIN NICKEL.
- △ DATE CODE: (YEAR WEEK) XXXX FORMAT, LOCATED APPROXIMATELY AS SHOWN ON OPPOSITE SIDE.



WITH CENTER POST	3.68[.145]	118.11[4.650]	111.35[4.384]	60.96[2.400]	49.53[1.950]	125.73[4.950]	105.41[4.150]	80	5822030-4
	3.68[.145]	107.95[4.250]	101.19[3.984]	55.88[2.200]	44.45[1.750]	115.57[4.550]	95.25[3.750]	72	5822030-3
	G	F	E	D	C	B	A	NO. OF POSN	PART NO

THIS DRAWING IS A CONTROLLED DOCUMENT.		DIN S. WAITMAN SJANOS		TE Connectivity																																							
DIMENSIONS: mm [INCHES]		TOLERANCES UNLESS OTHERWISE SPECIFIED:		APVD M.YFOMANS																																							
<table border="1"> <tr><td>0 PLC</td><td>±</td><td>-</td></tr> <tr><td>1 PLC</td><td>±</td><td>-</td></tr> <tr><td>2 PLC</td><td>±</td><td>-</td></tr> <tr><td>3 PLC</td><td>±</td><td>0.13[.005]</td></tr> <tr><td>4 PLC</td><td>±</td><td>-</td></tr> </table>		0 PLC	±	-	1 PLC	±	-	2 PLC	±	-	3 PLC	±	0.13[.005]	4 PLC	±	-	<table border="1"> <tr><td>0</td><td>±</td><td>-</td></tr> <tr><td>1</td><td>±</td><td>-</td></tr> <tr><td>2</td><td>±</td><td>-</td></tr> <tr><td>3</td><td>±</td><td>0.13[.005]</td></tr> <tr><td>4</td><td>±</td><td>-</td></tr> </table>		0	±	-	1	±	-	2	±	-	3	±	0.13[.005]	4	±	-	<table border="1"> <tr><td>NAME</td><td></td></tr> <tr><td>PRODUCT SPEC</td><td></td></tr> <tr><td>APPLICATION SPEC</td><td></td></tr> <tr><td>WEIGHT</td><td></td></tr> </table>		NAME		PRODUCT SPEC		APPLICATION SPEC		WEIGHT	
0 PLC	±	-																																									
1 PLC	±	-																																									
2 PLC	±	-																																									
3 PLC	±	0.13[.005]																																									
4 PLC	±	-																																									
0	±	-																																									
1	±	-																																									
2	±	-																																									
3	±	0.13[.005]																																									
4	±	-																																									
NAME																																											
PRODUCT SPEC																																											
APPLICATION SPEC																																											
WEIGHT																																											
MATERIAL		FINISH		<table border="1"> <tr><td>SIZE</td><td>CAGE CODE</td><td>DRAWING NO</td><td>RESTRICTED TO</td></tr> <tr><td>A1</td><td>00779</td><td>5822030</td><td></td></tr> </table>		SIZE	CAGE CODE	DRAWING NO	RESTRICTED TO	A1	00779	5822030																															
SIZE	CAGE CODE	DRAWING NO	RESTRICTED TO																																								
A1	00779	5822030																																									
CUSTOMER DRAWING		SCALE 4:1		SHEET 1 OF 1 REV B1																																							